



SettleShell

Passive air sampler for sterile environments



Patented, trademark protected

The SettleShell is a **passive air sampler**, specially designed for use in **isolators**. The device is brought to the point of use after being loaded with a culture medium carrier (e.g. agar settle plates) under a appropriate protective atmosphere. SettleShell can be opened by remote control to initiate **microbial air monitoring** after the decontamination cycle.

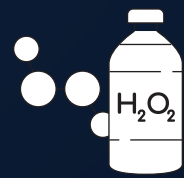
The closing or opening process is triggered by remote control outside the isolator. This allows the SettleShell to be used for example in **gloveless isolators** or in **hard-to-reach places**.



**Wireless
communication**



**Qi-Wireless
battery charging**



VHP-Resistant



**Suitable for
horizontal & vertical Airflow**



**Compatible with
common settle plates**



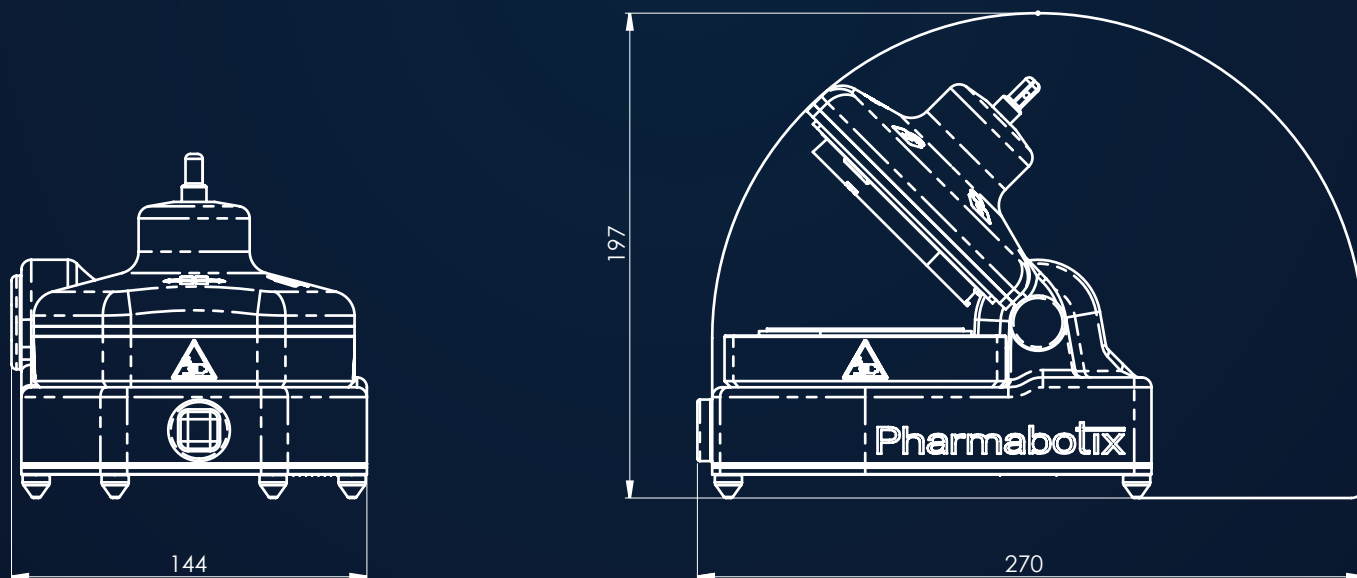
SettleShell

Passive air sampler for sterile environments

Specifications

■ Opening angle	45°-180°, freely adjustable, password-protected
■ Communication	Wireless
■ Medium carrier	E.g. Merck, PMM, BD, standard agar plates 90mm with or without locking
■ Sealing	Hermetically sealed, up to 500mBar
■ Clean room class	GMP A / ISO 5
■ Cleaning / Disinfection	Vaporized or gaseous hydrogen peroxide and disinfectants commonly used in the industry Parts in contact with product are autoclavable
■ Material SettleShell	1.4404, Peek
■ Weight	6 kg
■ Charging technology	QI Standard
■ Operating conditions	Temperature 5 to 35 °C, relative humidity 0-100%.
■ IP rating	IP64
■ Drive	Maxon
■ Power supply charging station	110V bis 240V

Dimensions



Order information

Designation	Scope of delivery	Item no.
■ Settleshell kit	1x SettleShell, 1x Charging station, 1x Remote control 1 x User's manual	ART-10021
■ Consumables kit	1x Main seal, 1x ring, 3x plate holder 1x lower fixing ring	ART-10022
■ Height adjustable support	1x Support 50-300mm	ART-10022